

ROOM FINISH SCHEDULE

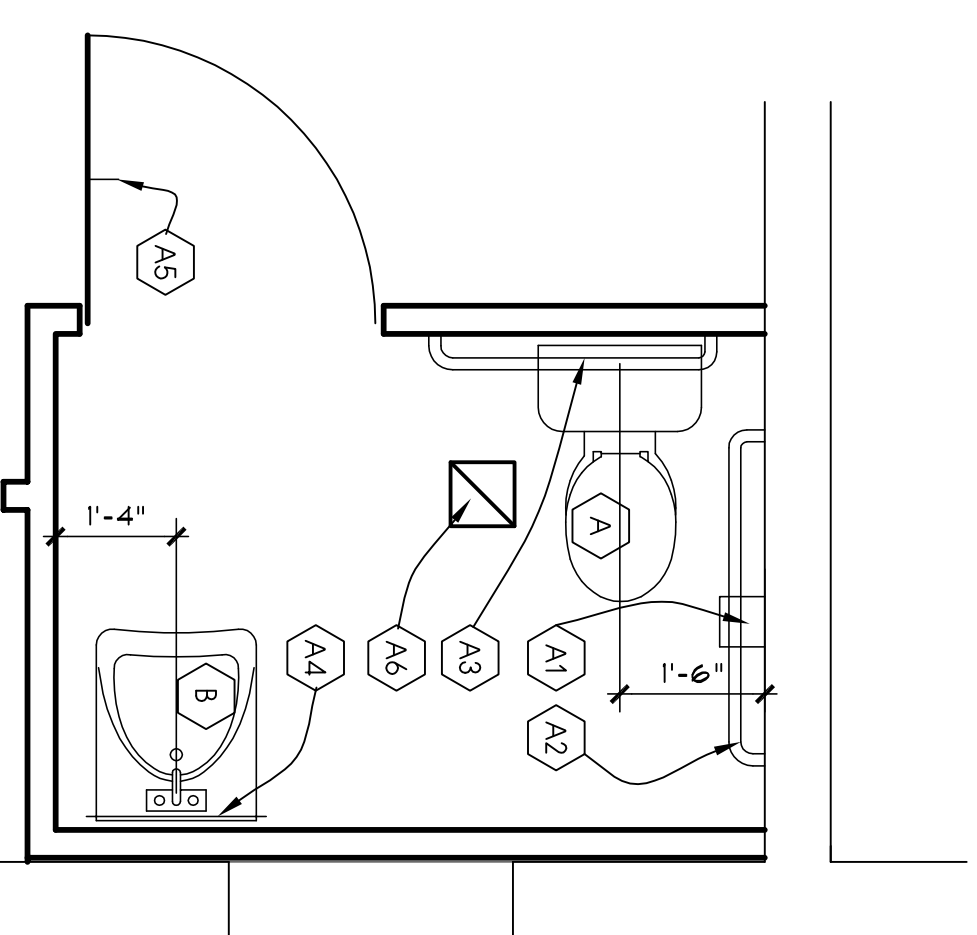
No.	ROOM NAME	FLOOR	BASE	WALLS	CEILING	NOTES
				MATL	HEIGHT	
X00	HALL 1	F1	B1	W1	C1	1'-0"
X01	JANITOR	F2	B2	WW/M3	C2	3'-0"PE N1
X02	UNSEX 1	F2	B2	WW/M3	C1	8'-11" N2
X03	OFFICE A	F1	B1	W1	C1	1'-0"
X04	OFFICE B	F1	B1	WW/M3	C1	8'-11"
X05	HALL 2	F1	B1	WW/M3	C1	8'-11"
X06	HALL 3	F1	B1	W1	C1	9'-0"
X07	UNSEX 2	F2	B2	WW/M3	C1	8'-11" N2
X08	OFFICE C	F1	B1	WW/M3	C1	9'-0"
X09	OFFICE D	F1	B1	WW/M3	C1	9'-0"
X10	HALL 4	F1	B1	WW/M3	C1	8'-11"

No.	MATERIAL LEGEND	
F1	WOOD FLOORING	FLOOR
F2	VINYL COMPOSITION TILE (VCT)	FLOOR
B1	WOOD BASE - 6" H	BASE
B2	CONCRETE WALL - 6" H	BASE
W1	EXPOSED BRICK	WALL
W2	4 X 4 WALL TILE OR FRP ON WATER RESISTANT GYP. BD. 6'-0"HI ENTIRE WET WALL	WALL
W3	PAINTED GYP. BD.	WALL
C1	2 X 4 SPRUNGED ACOUSTIC CEILING PANELS	CEILING
C2	PAINTED GYP. BD.	CEILING
N1	WATER RESISTANT GYPSUM BOARD 4'-0" HEIGHT @ MOP. SINK & WATER HEATER	CEILING
N2	WATER RESISTANT GYPSUM BOARD FULL HEIGHT, WET WALL	CEILING

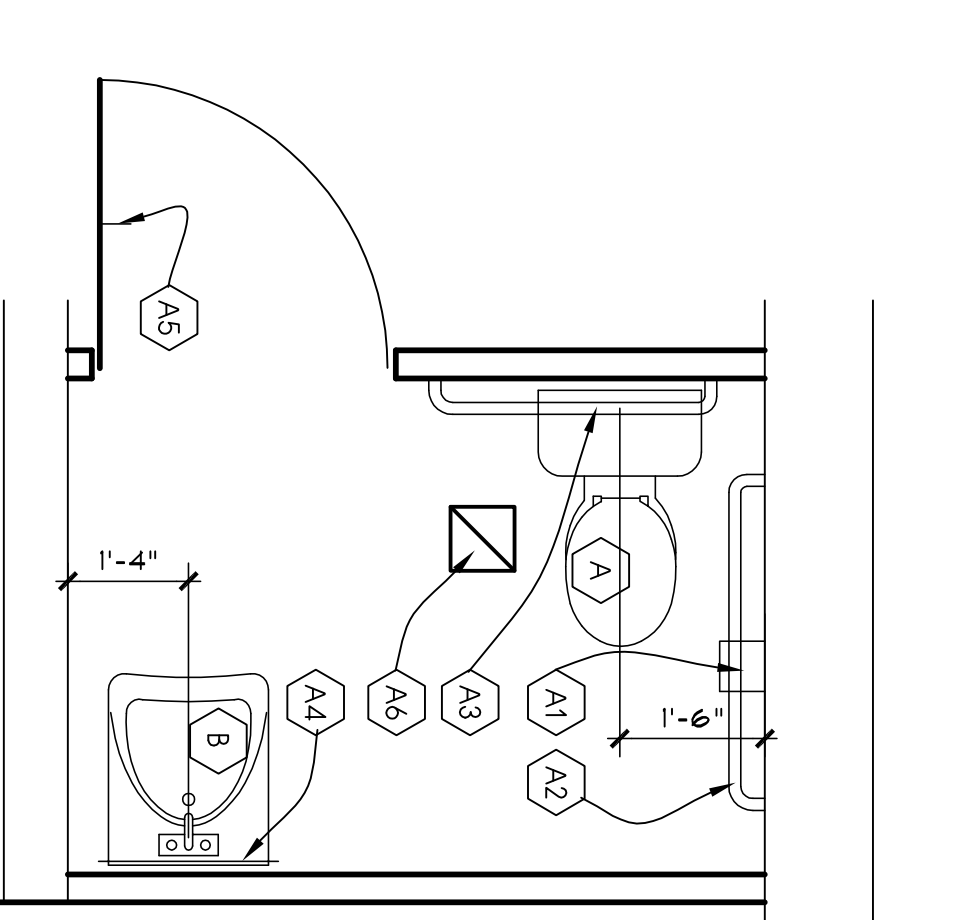
FINISH NOTES

- INTERIOR FINISHES SHALL BE AS FOLLOWS: OBC 803.0 & 805.0 WALLS/CEILING, CLASS III FLOORS, SMOKE DEVELOPED RATING: DOC FF-1 450 OR LESS
- COORDINATE ALL FINISH COLOR TYPES & STYLES W/ THE OWNER BEFORE ORDERING & INSTALLATION OF FINISHES.
- THE EXACT FINISH OF ALL PRODUCTS & FINISHES SHALL BE FROM THE MANUFACTURER'S STANDARDS. OWNER SHALL SELECT COLORS.
- WALLS W/ IN 2" OF WATER CLOSETS SHALL HAVE A SMOOTH, HARD, NON-ABRASIVE SURFACE TO A HEIGHT OF 5'0" ABOVE THE FINISH FLOOR. ALL OTHER WALLS SHALL BE AFFECTIONALLY AFFECTED BY MOISTURE. FRP OR TILE IS AN APPROVED MATERIAL.
- WOOD STAIN FOR DOORS & FRAMES SHALL BE COORDINATED W/ THE OWNER

ENLARGED TOILET PLAN
UNSEX 2 - 201



ENLARGED TOILET PLAN
UNSEX 1 - 102



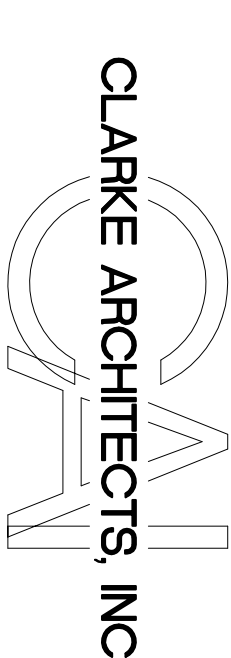
PLUMBING ACCESSORIES NOTES

- TOILET FLUSH CONTROL SHALL BE OPERABLE W/ ONE HAND & SHALL NOT REQUIRE TIGHT GRASPING, PINCHING, OR TWISTING OF THE WRIST. CONTROL FOR THE FLUSH VALVE SHALL BE MOUNTED NO MORE THAN 44" ABOVE THE FLOOR. THE FORCE REQUIRED TO ACTIVATE CONTROL SHALL BE NO GREATER THAN 5 LBS/FT.
- A CLEAR FLOOR SPACE 30" WIDE BY 48" LONG SHALL BE PROVIDED IN FRONT OF THE LAVATORY TO ALLOW A FORWARD APPROACH. SUCH CLEAR FLOOR SPACE SHALL ADJOIN OR OVERLAP AN ACCESSIBLE ROUTE & SHALL EXTEND INTO KNEE & TOE SPACE UNDERNEATH THE LAVATORY.
- HOT WATER & DRAIN PIPES UNDER LAVATORIES SHALL BE INSULATED OR OTHERWISE COVERED. THESE SHALL BE NO SHARP OR ABRASIVE SURFACE UNDER LAVATORIES.
- Faucet controls & operating mechanisms shall be operable w/ one hand & shall not require tight grasping, pinching or twisting of the wrist. The force required to activate the control shall be no greater than 5 lbs/ft. Lever type & electronically controlled mechanisms are examples of acceptable design. Self-closing valves are allowed if the valve's remain open for at least 10 seconds.
- Flush handles shall be on the wide side of stalls in disabled accessible stalls.
- MIRRORS SHALL BE MOUNTED W/ BOTTOM EDGE OF THE REFLECTIVE SURFACE SHALL NOT BE MORE THAN 40" FROM THE FLOOR.
- LOCATE TOILET TISSUE DISPENSERS ON THE WALL WITHIN 12" OF THE FRONT EDGE OF THE TOILET SEAT.
- GRAB BARS FASTENERS & MOUNTING DEVICES SHALL BE DESIGNED FOR 250 LBS/LINEAR FT. LOAD.
- ALL GYP. BD. & WET WALLS SHALL BE WATER RESISTANT TYPE FULL HEIGHT IN ALL RESTROOMS.
- FIXTURES TYPE SPECIED ON DRAWINGS COORDINATE W/ THE BLDG OWNER
- PROVIDE A WALL MOUNTED SIGN OUTSIDE OF EACH RESTROOM INDICATING THE SEX FOR EACH RESTROOM & THAT IT IS ADA COMPLIANT PER OBC 207.6.3.
- CONTRACTOR SHALL OBTAIN A COMPLETE SET OF PLANS & BE FAMILIAR W/ THE ENTIRE PROJECT IN ORDER TO UNDERSTAND THE COMPLETE SCOPE OF THE PROJECT.
- THE EQUIPMENT ROUGH-INS AS SHOWN ARE BASED UPON AVAILABLE INFORMATION. HOWEVER, IN SOME INSTANCES, THE OWNER OR SUPPLIER MAY SUBSTITUTE OR THE EQUIPMENT THAT VARY FROM WHAT IS SHOWN. THEREFORE, THE CONTRACTOR SHALL VERIFY ALL CRITICAL DIMENSIONS W/ THE OWNER PRIOR TO CONSTRUCTION. FAILURE OF THE CONTRACTOR TO VERIFY THESE DIMENSIONS SHALL PLACE THE RESPONSIBILITY FOR ANY SUBSEQUENT RELOCATION DIRECTLY ON THE CONTRACTOR.
- CONTRACTOR SHALL PROVIDE ALL SOLID BLOCKING IN THE STUD WALLS FOR THE GRAB BARS & ALL OTHER ACCESSORIES AS REQUIRED BEFORE GYP. BD. IS INSTALLED
- CONTRACTOR SHALL REFER TO THE ADAAG SHEET IN THIS SET FOR MOUNTING HEIGHTS & OTHER REQUIREMENTS

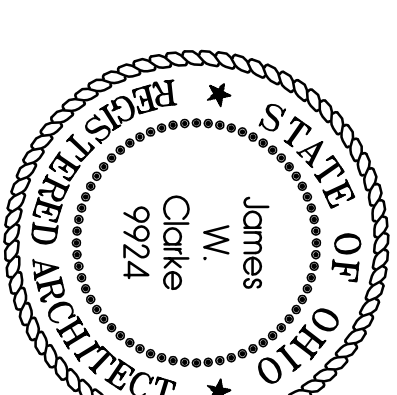
FIXTURE/ACCESSORIES SCHEDULE

NO.	DESCRIPTION	MANUFACTURER	MODEL NO.	MOUNTING HEIGHT
A	ADA TOILET - SEE THE PLUMBING SHEET			
B	ADA WALL HING SINK W/ LEVER HANDLES - SEE THE PLUMBING SHEET			
NO.	DESCRIPTION	MANUFACTURER	MODEL NO.	MOUNTING HEIGHT
A1	SURFACE MOUNTED TOILET TISSUE DISPENSER SINGLE ROLL - 35" MAX. FROM REAR WALL	BRADLEY CORP	EE224	TOP @ 2'-8" AFF
A2	42" GRAB BAR - MOUNT 12" AWAY FROM CORNER	BRADLEY CORP	SERES 832-2	C @ 3'-0" AFF
A3	36" GRAB BAR - MOUNT 6" AWAY FROM CORNER	BRADLEY CORP	SERES 832-2	C @ 3'-0" AFF
A4	30"W x 45"H MIRROR, MIN. WIDTH	BRADLEY CORP	780	BOTTOM OF REFLECTIVE SURFACE @ 3'-4" AFF. MAX
A5	COAT HOOK	BRADLEY CORP	917	MOUNT CENTERLINE 60" AFF
A6	EXHAUST FAN - SEE THE MECH. SHEET	---	---	CEILING MOUNTED

** ALTERNATE PLUMBING ACCESSORIES MAY BE SUBSTITUTED W/ OWNER APPROVAL
 *** ALL PLUMBING ACCESSORIES SHALL BE INSTALLED IN ACCORDANCE W/ MANUFACTURERS SPECIFICATIONS.



2433 Shillingham Ct.
 Powell, Ohio 43065-9595
 Office: 614-791-1200
 Mobile: 614-271-8420
 jclarke@clarkearchitects.com



These Drawings and Specifications prepared by Clarke Architects Inc. are instruments of service for use solely with respect to this project and, unless otherwise stated, the drawings and specifications shall be deemed the author of them. No part of these drawings and specifications shall be reproduced, stored in a retrieval system, or transmitted in any form or by any means, electronic, mechanical, photocopying, recording, or by any information storage and retrieval system, without the prior written permission of Clarke Architects Inc. The architect's drawings, specifications or other documents shall be void if they are used for any other project, for additions to this project, or for completion of this project by others.

DATE JULY 27, 2011

REVISION DATES

PROJECT:

OFFICE BUILDING
 94 N. SANDUSKY ST.
 DELAWARE, OHIO 43015

PROJECT NUMBER CA20109

SHEET TITLE

ENLARGE TOILET
 PLANS/FINISH SCHEDULE

SHEET NUMBER A3