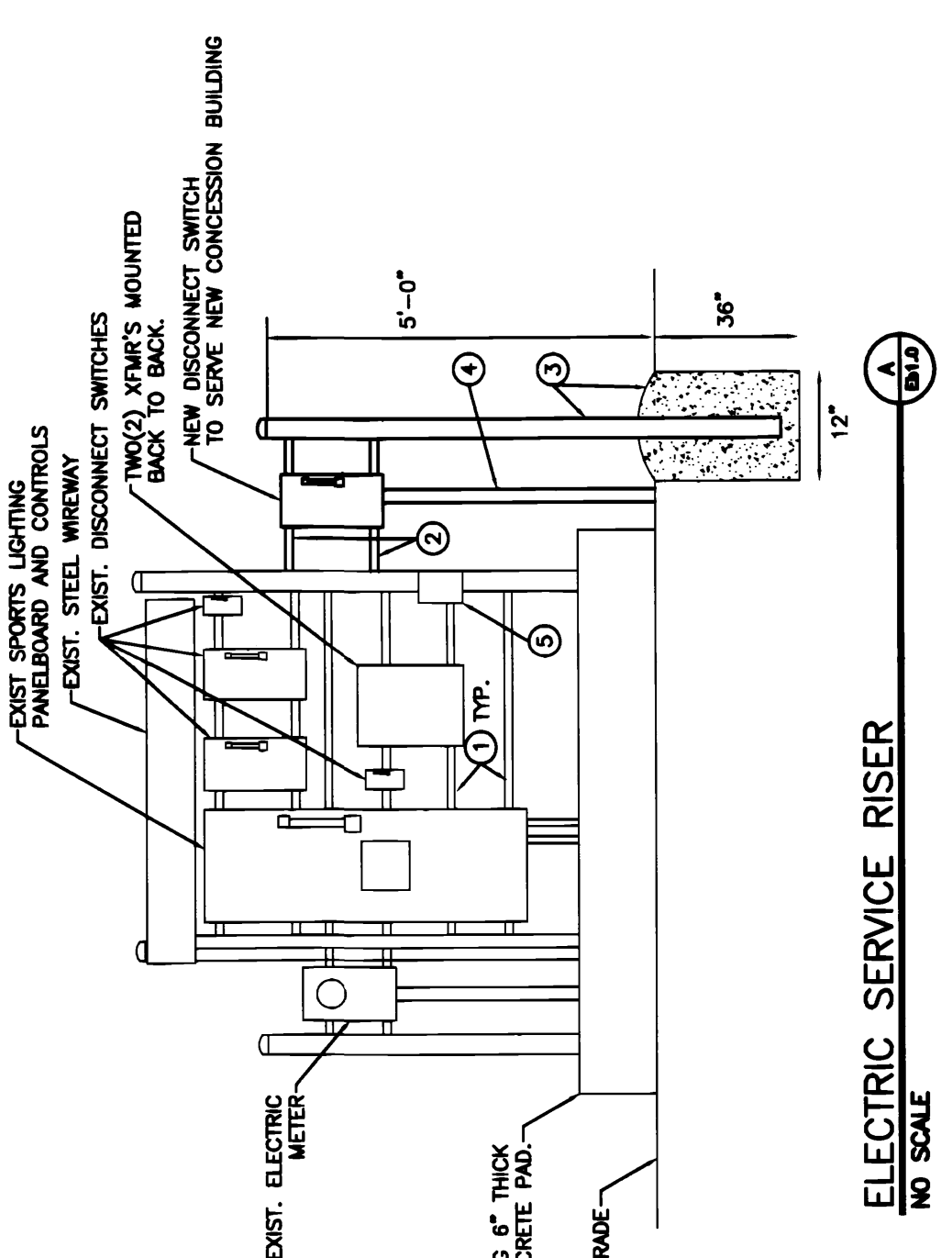


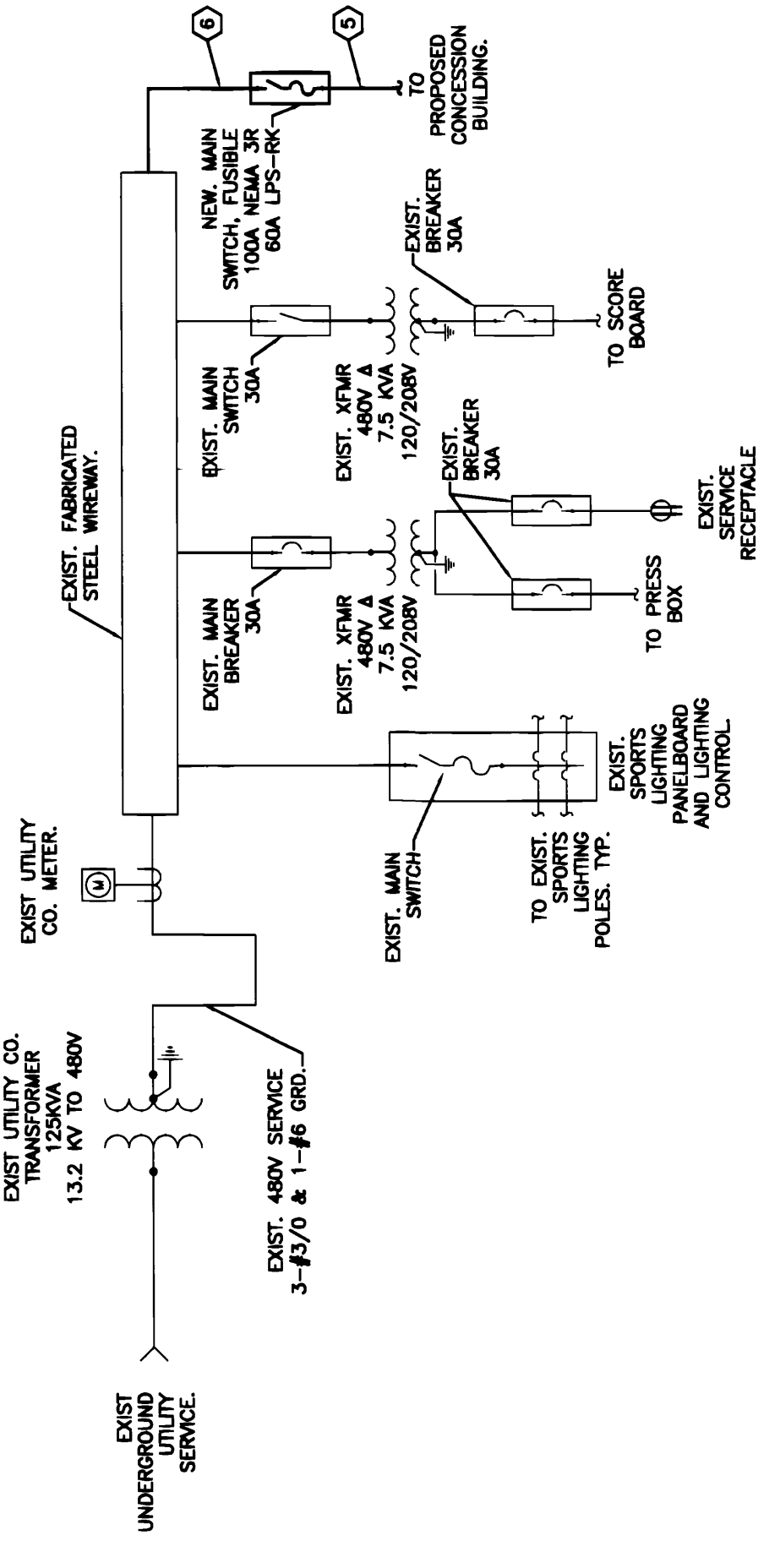
BALDWIN JHS SOCCER FIELD SITE PLAN
1" = 40'

- NOTES**
- EXISTING APP PAD MOUNTED TRANSFORMER IS INSTALLED ON 10X10' CONCRETE PAD. EXISTING ELECTRIC METER IS INSTALLED ON A CONCRETE RISER ADJACENT TO THE TRANSFORMER. SEE RISER DETAIL V-01.01.
 - EXISTING CONCRETE WALKING PATHS.
 - EG SHALL DIRECTLY DRILL BENEATH EXISTING PAVED SURFACES SO AS NOT TO DISTURB THE EXISTING DRIVE WAY OR ACCESS TO BALDWIN JHS.
 - NEW POWER CONDUIT SHALL EXTEND TO WITHIN 5' OF PROPOSED BUILDING FOUNDATION AND TERMINATE 30" BELOW GRADE. CAP CONDUIT AND MARK UNDERGROUND CONDUIT TO BUILDING AND ALL UNDERGROUND BUILDING SERVICE CONDUCTORS ARE BY OTHERS.
 - NEW 2" SERVICE CONDUIT FOR PROPOSED CONCESSION BUILDING TO NEW FOR LATERAL TRUN TO PROPOSED CONCESSION BUILDING. FOUNDATION TO NEW FEEDER. 3-#1 & 1-#6 GRD. IN 1.5" RIG. SPICE EXISTING CONDUCTORS WITHIN WIRERWAY. PROVIDE NEW SPICE BLOCKS EXISTING CONDUCTORS.



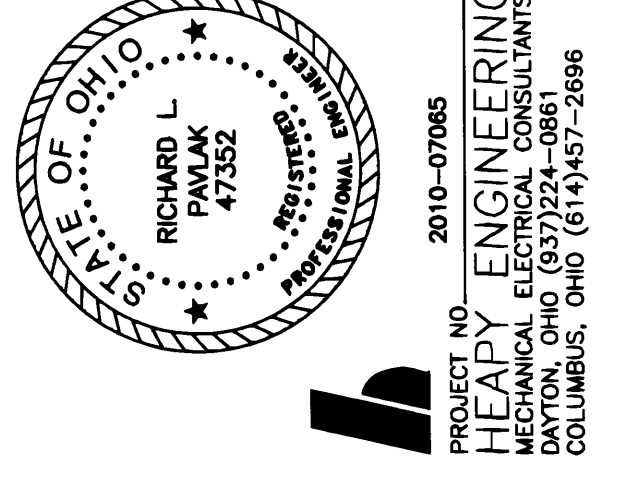
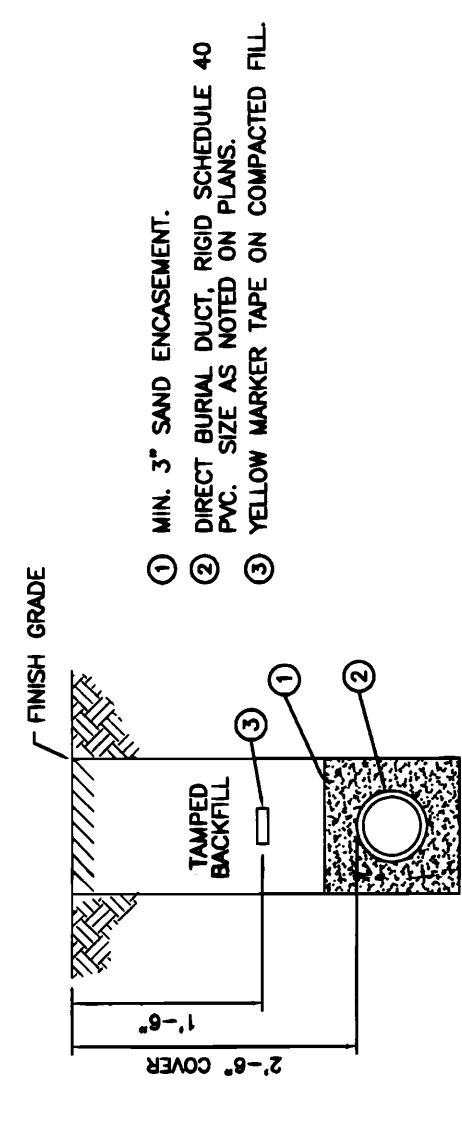
NOMENCLATURE

- EXISTING UNTRUST SUPPORTS SUPPORTING EXISTING EQUIPMENT.
- PROVIDE NEW UNTRUST #1000 SUPPORTS TO MOUNT NEW DISCONNECT SWITCHES.
- REMOVE NEW 8' LONG 4" BASE GALVANIZED SUPPORT POLE WITH GALVANIZED CAP. CONCRETE ENCASE BASE OF POLE 36" DEEP IN A 12" DIA. HOLE. CONCRETE BASE SHALL HAVE A 2" TALL FORMED TOP.
- NEW CONCESSION BUILDING SERVICE CONDUIT.
- EXISTING DUPLEX SERVICE RECEPTACLE IN WEATHERPROOF COVER.



METERED DEMAND

HISTORICAL MAX. DEMAND:	73.9 KW (80A)
ADDITIONAL ESTIMATED DEMAND:	40.0 KW MAX
TOTAL SERVICE DEMAND LOAD (ESTIMATED):	113.9 KW (137A)



PROJECT NO. 2010-07005
HEALY ENGINEERING
 MECHANICAL ELECTRICAL PLUMBING
 CONSULTANTS
 COLUMBUS, OHIO (614) 577-2698